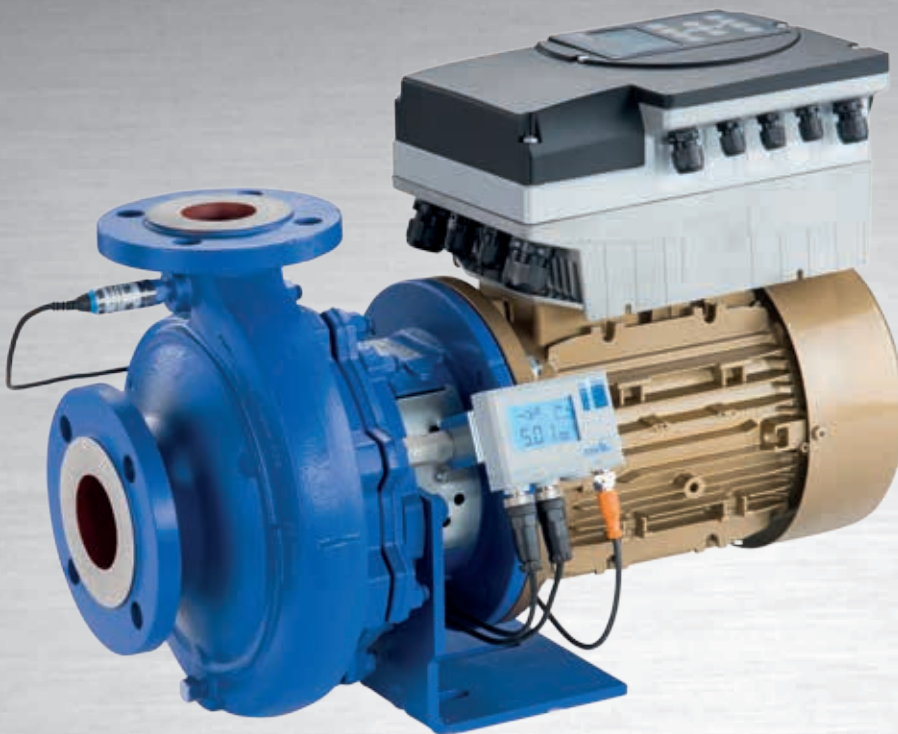


## Etabloc – The Compact Pump



### Applications:

Pure liquids not chemically or mechanically aggressive to the pump materials

- Water supply
- Cooling water
- Swimming pool water
- Fire-fighting systems
- Seawater
- Spray irrigation
- Fire-fighting water
- Irrigation
- Service water
- Cleaning agents
- Drinking water
- Brackish water
- Drainage
- Condensate
- Heating
- Air-conditioning
- Oils
- Hot water

### More information:

[www.ksb.com/products](http://www.ksb.com/products)

Etabloc with KSB SuPremE® motor, PumpMeter and PumpDrive



Etabloc with KSB SuPremE® motor, PumpMeter and PumpDrive Eco

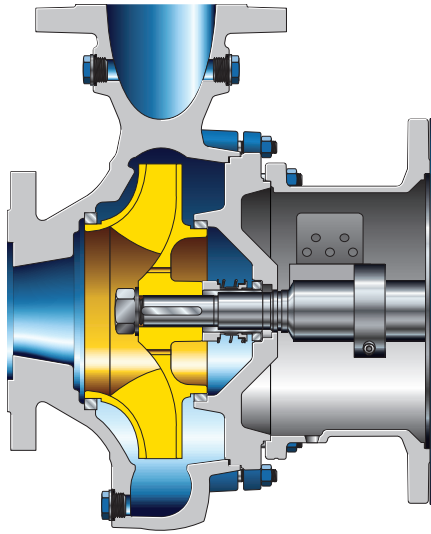


Etabloc with PumpMeter, PumpDrive and IE3 motor

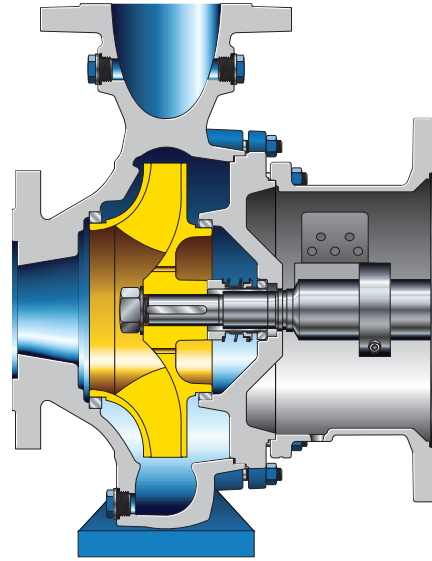


Etabloc with PumpMeter and IE3 motor

# Etabloc – The Compact Pump



Etabloc – without support foot



Etabloc – with support foot

## 1 High energy efficiency

- Optimised hydraulic system of high efficiency. As a standard, the impellers are trimmed to the operating point.
- Exceeds the requirements of the ErP Directive applicable to standardised water pumps from 2015.
- With KSB SuPremE® motor: the world's most efficient magnet-less pump motor satisfies efficiency level IE4 (acc. IEC (CD) 60034-30 Ed. 2.)
- The new PumpDrive achieves maximum energy efficiency with full transparency during pump operation.

## 2 Compact design

Pump without separate coupling, which eliminates the need for coupling alignment

## 3 Operating reliability

Good suction performance for low vibration levels and very smooth running

## 4 Versatile

Great choice of materials for many applications available as a standard

## 5 Diversity of variants

Additional sizes for small flow rates extend the already diverse range of selection charts.

## 6 Service-friendly

- Fast delivery of new pumps and spare parts
- Easier to assemble and dismantle thanks to the larger seal chamber and threaded holes for forcing screws between the casing cover and bearing bracket

### Materials variants

Grey cast iron EN-GJL-250 / A48 CL 35B

Nodular cast iron EN-GJS-400-15 / A536 GR 60-40-18

Stainless steel 1.4408 / A743 Gr CF8 M

Bronze CC480K-GS / B30 C90700

### Technical data

Flow rate	Up to 640 m <sup>3</sup> /h (50 Hz) Up to 753 m <sup>3</sup> /h (60 Hz)
Head	Up to 160 m (50 Hz) Up to 148 m (60 Hz)
Fluid temperature	-30 °C to +140 °C
Pressure	up to 16 bar



KSB Aktiengesellschaft  
Johann-Klein-Straße 9  
67227 Frankenthal (Germany)  
www.ksb.com