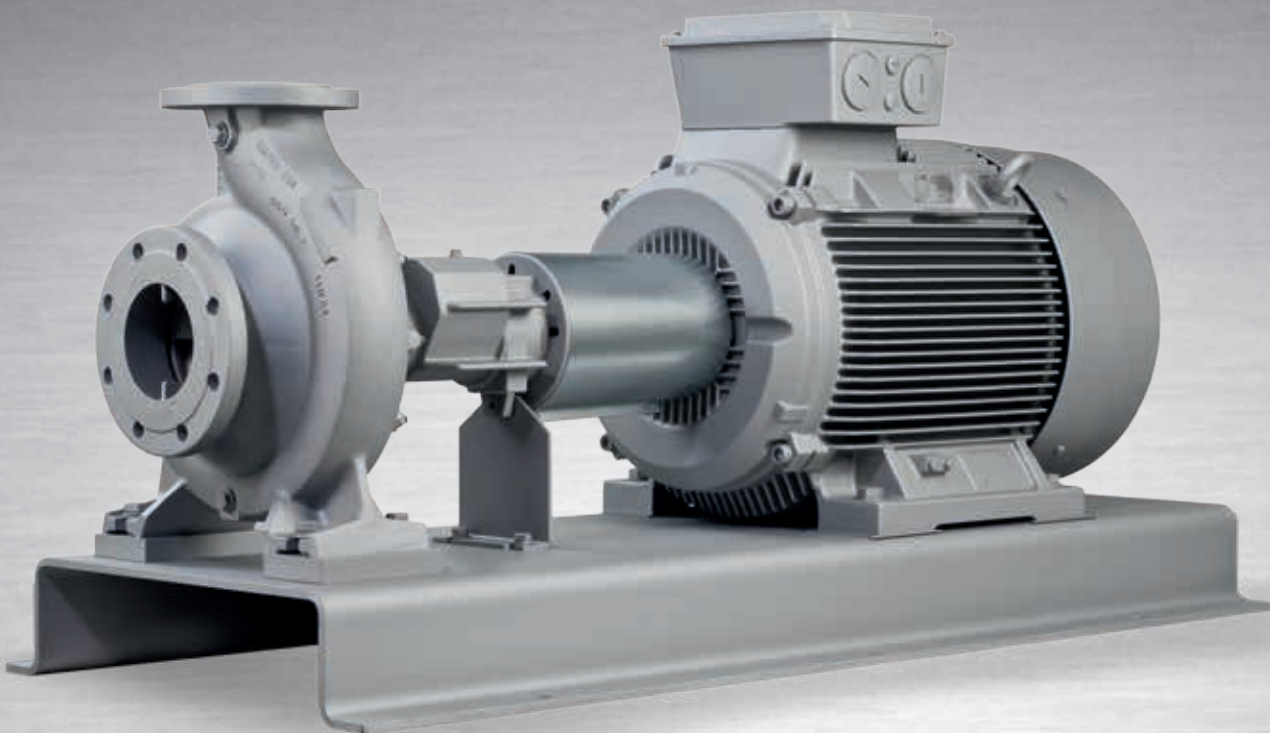


Thermal Oil and Hot Water Pumps: Reliable by Design



Applications:

- Heat transfer systems (DIN 4754, VDI 3033)
- Hot water circulation

More information: www.ksb.com/products

Etanorm SYT



Etaline SYT



Etabloc SYT

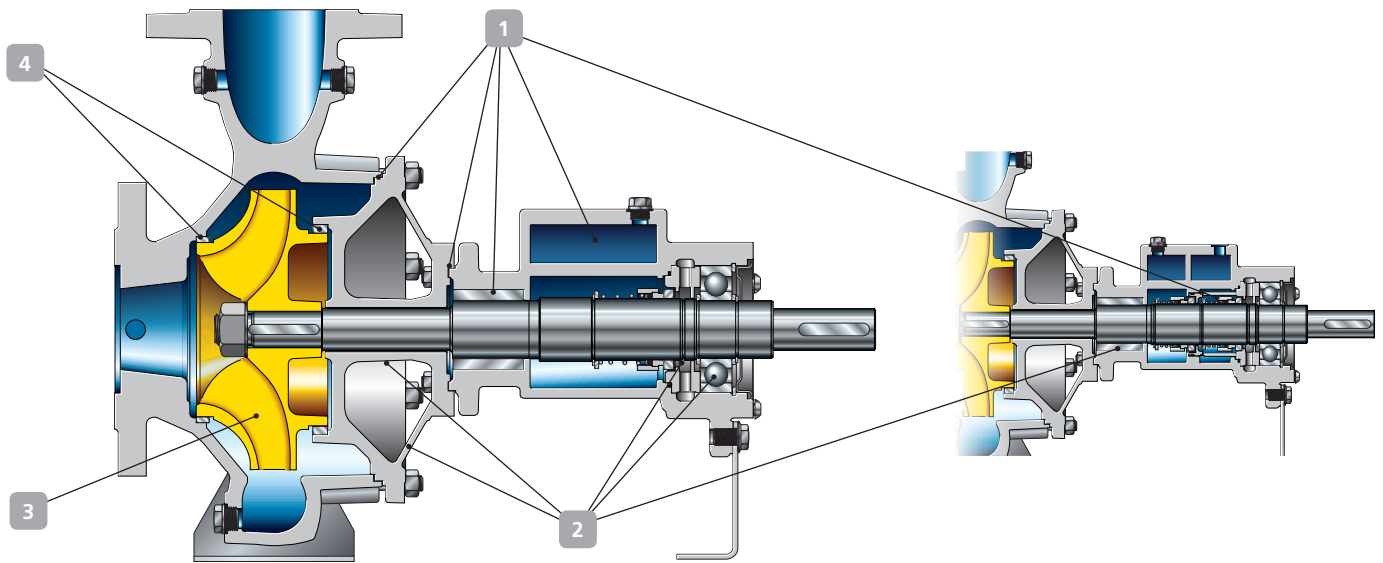


Etanorm SYT, KSB SuPremE®,
wall-mounted PumpDrive



Etanorm RSY

Thermal Oil and Hot Water Pumps: Reliable by Design



1 Maximum operating reliability

- Highly effective venting contour VenJet ensures optimum venting
- Confined gaskets
- Design variant with double mechanical seal in tandem arrangement
- Anti-seize carbon plain bearing lubricated by the fluid handled

2 Robust design

- Sturdy discharge cover designed for high stiffness
- Optimised heat barrier, little wear
- Design variant with SiC/SiC bearing for high resistance
- Reinforced deep-groove ball bearing with special grease fill for long service life
- Optimised shaft contour ensures reliable removal of leakage

3 High energy efficiency

- Optimised hydraulic system yields high efficiency.
- Impeller trimmed to match the specified duty point
- Suitable for variable-speed operation in combination with IE3 and KSB SuPremE® IE4 motor (IE4 to IEC (CD) 60034-30 Ed. 2) as standard

4 Easy to service

Replaceable wear rings and straightforward dismantling of bearing bracket

Versatile

Also available in close-coupled and in-line design

Materials

Volute casing	EN-GJS-400-15/A536 GR 60-40-18
Discharge cover	EN-GJS-400-15/A536 GR 60-40-18
Shaft	1.4021+QTHRC55
Impeller	EN-GJL-250/A48 CL 35B
Casing wear rings	Grey cast iron
Bearing bracket	EN-GJS-400-15/A536 GR 60-40-18

Technical data*

		Etabloc SYT	Etaline SYT	Etanorm SYT/RSY	
Flow rate up to		280/337	316/228	1900/2280	m ³ /h
Head up to		68/99	69/101	102/90	m
Fluid temperature	Thermal oil	-30 to +350	-30 to +350	-30 to +350	°C
	Hot water	-30 to +180	-30 to +180	-30 to +180	
Operating pressure up to		16	16	16	bar

* Values for 50 Hz/60 Hz

Automation option: PumpDrive



KSB Aktiengesellschaft
Johann-Klein-Straße 9
67227 Frankenthal (Germany)
www.ksb.com